

# 750Vdc Square Body Fuse HMSB75 Series

## Description

- High Speed Fuse, for Short Circuit Protection
- Designed and tested to IEC 60269 Part 4
- Special terminal design for MSD application
- Operating class : aR

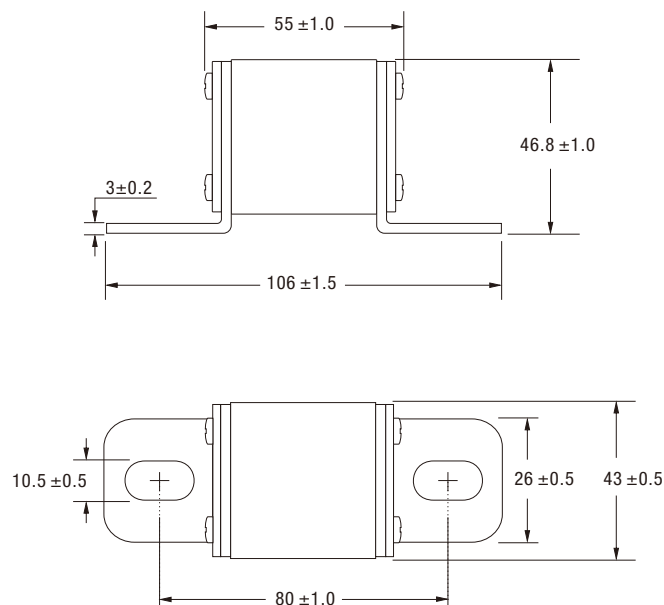


## Specifications

Ordering P/N	Rated Current (A)	Rated Voltage (Vdc)	Power Loss 1.0In (W)
HMSB75-500A-T	500	750	71
HMSB75-550A-T	550	750	75
HMSB75-630A-T	630	750	82

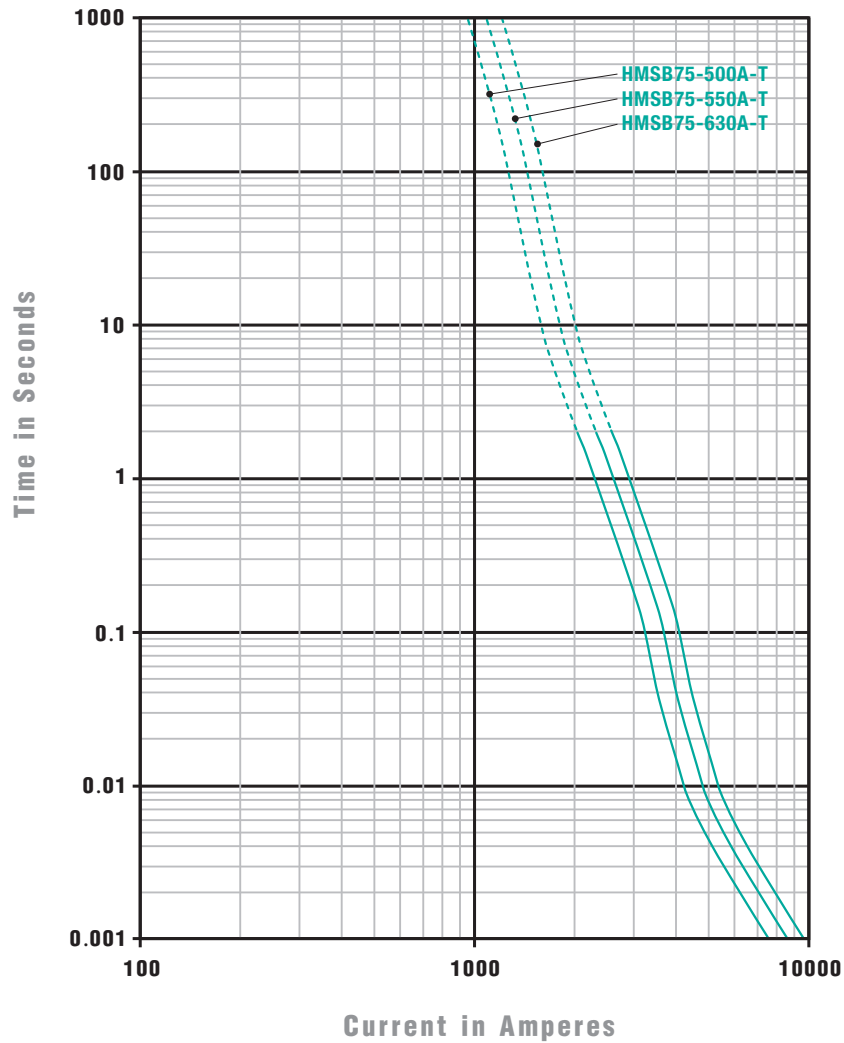
Interrupting rating 20kA

## Dimension (mm)



# 750Vdc Square Body Fuse HMSB75 Series

## Time-Current Curve



© 2018 PROSEMI Inc. All Rights Reserved.  
 Specifications and features are subject to  
 change without notice.  
[www.prosemitech.com](http://www.prosemitech.com)

The PROSEMI logo, and all other PROSEMI  
 trademarks are the property of PROSEMI Inc.  
 All other trademarks are the property of their  
 respective owners.

Rev No. 2018050701C